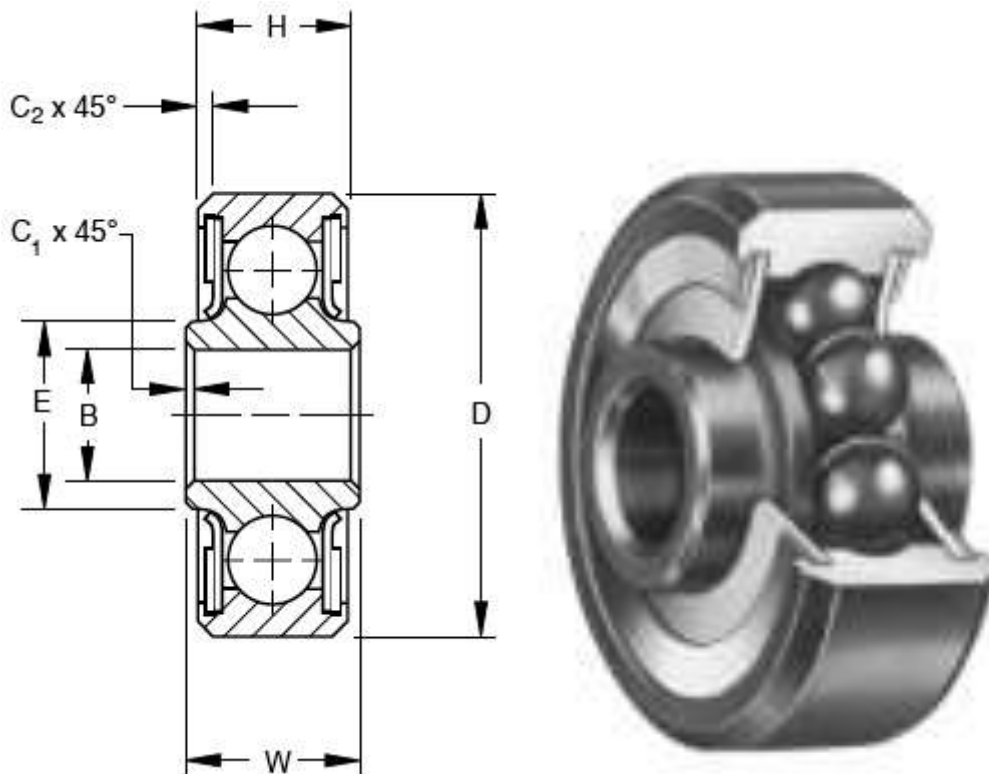


# BEARINGS KP SERIES MS27640 (KP Series)

E-Mail: [sales@asapspares.com.au](mailto:sales@asapspares.com.au)

## KP Series (MS27640) Bearings



**\*Carried on shelf**

- Replaces AN200
- PTFE seals and CRES seal caps
- Pre-lubricated for life.
- Single row, ball, heavy duty
- Exposed surfaces except bore, caps, and seals are cadmium plated
- Also offered with CRES 440C material and/or zinc nickel plating per OEM specifications

Our Part Number	Common Part Number	"B"	Width W	Width H	Diameter D	Stocked
MS27640-3	KP3	0.19	0.297	0.270	0.7774	*
MS27640-4	KP4	0.25	0.484	0.335	0.9014	*
MS27640-5	KP5	0.3125	0.558	0.375	1.25	*
MS27640-6	KP6	0.375	0.62	0.469	1.4375	
MS27640-8	KP8	0.5		0.5	1.6875	*

All measurements are Imperial.